



# Nennstrom und Stromwandler

Version 26.01.2023

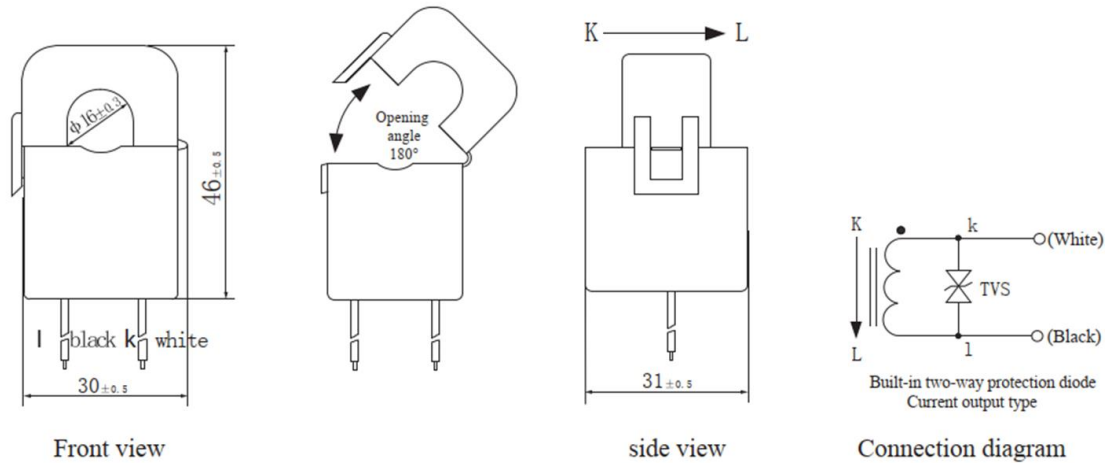


# Produkt Nennstrom und Stromwandler

Bestellnummer	Produktbezeichnung	Stromwandlertyp (im Lieferumfang enthalten)	Kabellänge
C-04A-WL-080A-CS C-02RA-WL-080A-XX	CLEMAP Load Management 80A CLEMAP Energy Monitor 80A	SCT-016	2.0 m
C-04A-WL-125A-CS C-02RA-WL-125A-XX	CLEMAP Load Management 125A CLEMAP Energy Monitor 125A	SCT-019	2.0 m
C-04A-WL-200A-CS C-02RA-WL-200A-XX	CLEMAP Load Management 200A CLEMAP Energy Monitor 200A	SCT-019	2.0 m
C-04A-WL-400A-CS C-02RA-WL-400A-XX	CLEMAP Load Management 400A CLEMAP Energy Monitor 400A	SCT-031	2.0 m
C-04A-WL-01kA-CS C-02RA-WL-01kA-XX	CLEMAP Load Management 1000A CLEMAP Energy Monitor 1000A	Rogowski 1000A/100mV	2.4 m
C-04A-WL-02kA-CS C-02RA-WL-02kA-XX	CLEMAP Load Management 2000A CLEMAP Energy Monitor 2000A	Rogowski 1000A/100mV	2.4 m
C-04A-WL-06kA-CS C-02RA-WL-06kA-XX	CLEMAP Load Management 6000A CLEMAP Energy Monitor 6000A	Rogowski 1000A/100mV	2.4 m

# SCT-016 Spezifikation (80A)

Outline size: (in:mm)



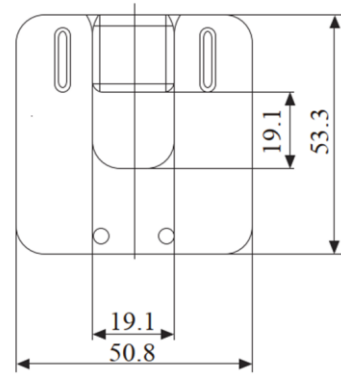
Basic technical parameter table:

Input current	Output current	Turns ratio	Accuracy	Work frequency	Weight
120A AC	40mA	1:3000	1%	50Hz-1KHz	70g

# SCT-019 Spezifikation (125A, 200A)

Outline size: (in:mm±0.5)

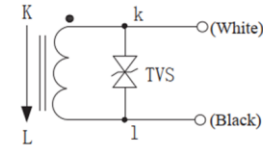
opening and closing way: pull plug type



Front view



Side view



Built-in two-way protection diode  
Current output type

Connection diagram

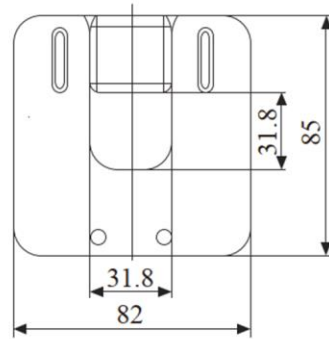
Basic technical parameter table:

Input current	Output current	turns ratio	Accuracy	Work frequency	Weight
200A AC	33mA	1:6000	1%	20Hz-1KHz	91g

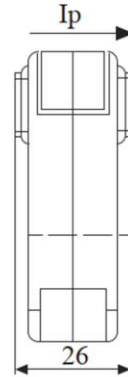
# SCT-031 Spezifikation (400A)

Outline size: (in:mm±0.5)

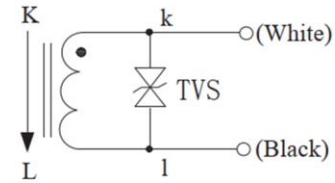
opening and closing way: pull plug type



Front view



Side view



Built-in two-way protection diode  
Current output type

Connection diagram

Basic technical parameter table:

Input current	Output current	turn	Accuracy	Work frequency	weight
400A	33mA	1:12000	1%	50Hz-60Hz	245g

# Rogowski 1000A/100mV (1kA, 2kA, 6kA)

Abmessungen (mm)	120 (Standard)	190	305
Window A	120	190	305
Coil OD B	145	205	335
Coil Length C	400	600	1000

