

	<p>DA - Henvising om bortskafning (EU) Produktet må ikke bortskaffes sammen med husholdningsaffaldet! Produkter med dette symbol skal i henhold til direktivet (WEEE) om affald af elektrisk og elektronisk udstyr bortskaffes via de lokale indsamlingssteder for gamle el-apparater! Gamle batterier og gamle akkumulatører, der ikke er fast indbygget i det gamle apparat, og pærer, som uden at blive beskadiget kan tages ud af det gamle apparat, skal for aflevering på en genbrugsstation fjernes fra det gamle apparat uden beskadigelse. Distributører er i henhold til de gældende lovkrevne bestemmelser forpligtet til at tage imod gamle apparater fra en slutbruger. Det gamle apparat kan også sendes til følgende adresse til bortskaffelse i Tyskland: SLV GmbH, Technischer Service, Werkstrasse 8-10, 52531 Übach-Palenberg, Tyskland</p>
	<p>PL - Wskazówka dotycząca utylizacji (Unia Europejska) Nie wolno wyrzucać produktu do śmieci domowych! Produkty oznakowane tym symbolem należy utylizować zgodnie z wytycznymi (WEEE) dotyczącymi starych urządzeń elektrycznych i elektronicznych w miejscowych punktach gromadzenia odpadów elektrycznych! Zużyte baterie i akumulatory, które nie są wbudowane w zużyte urządzenie, jak również lampy, które można wyjąć ze zużytego urządzenia w sposób nieniszczący, należy w sposób nieniszczący oddzielić od zużytego urządzenia przed przekazaniem go do punktu zbiórki. Zgodnie z obowiązującymi przepisami dystrybutorzy są zobowiązani do odbioru zużytych urządzeń od użytkownika końcowego. Zużyte urządzenie można również wysłać na poniższy adres w celu utylizacji na terenie Niemiec: SLV GmbH, Technischer Service, Werkstrasse 8-10, 52531 Übach-Palenberg, Niemcy</p>
	<p>RU - Указание по утилизации (Европейский Союз) RU по утилизации старых электрических и электронных приборов необходимо утилизировать через специальные пункты сбора старых электроприборов! Перед доставкой в пункт сбора необходимо отделить от старого устройства неразрушающим способом старые батареи и аккумуляторы, которые не заключены внутри старого устройства, а также лампы, которые можно извлечь из старого устройства неразрушающим способом. Согласно существующему законодательству дистрибьюторы обязаны принимать старые устройства от конечного пользователя. Старый прибор можно также отправить по следующему адресу для утилизации на территории Германии: SLV GmbH, Technischer Service, Werkstrasse 8-10, 52531 Übach-Palenberg, Германия</p>
	<p>SV - Anvisningar för sophantering (Europeiska Unionen) Produkten får ej kastas i hushållsoppor! Produkter som är märkta med denna symbolen ska kastas i enlighet med riktlinjerna (WEEE) för elektriska och elektroniska apparater på de lokala uppsamlingsställena för el- och elektroniskrot. Förbrukade batterier och akkumulatörer, som inte innesluts av aktuellt WEEE, t.ex. lampor, och som på ett icke-destruktivt sätt kan tas loss, ska innan WEEE lämnas till insamlingsstället separeras från den aktuella WEEE. Distributörer är i enlighet med gällande lagstiftning skyldiga att ta hand om WEEE från slutanvändaren. Den gamla apparaten kan också skickas till följande adress för avfallshantering inom Tyskland: SLV GmbH, Technischer Service, Werkstrasse 8-10, 52531 Übach-Palenberg, Tyskland</p>
	<p>TR - Tasfiye açıklaması (Avrupa Birliği) Ürünü ev çöplüyle birlikte atmayın! Bu sembolü taşıyan ürünler, elektroteknik ve elektronik eski aletlerin yerel elektronik eski aletler toplama yerinde tasfiye edilmesi (WEEE) yönetmeliğine bağlıdır. Eski cihaz kapsamına girmeyen eski piller ve eski akümülatörler ve de eski cihazdan parçalanmadan çıkarılabilen lambalar, kayıt merkezine teslim edilmeden önce eski cihazdan parçalanmadan çıkarılmalıdır. Satıcılar ilgili yasal yükümlülüklerine göre eski cihazları son kullanıcılardan geri almakla yükümlüdür. Eski cihaz Almanya içinde imha edilmek üzere aşağıdaki adrese de gönderilebilir. SLV GmbH, Technischer Service, Werkstrasse 8-10, 52531 Übach-Palenberg, Almanya</p>
	<p>HU - Hulladékkezelés (Európai Unió) A terméket ne a hagyományos háztartási hulladékkal együtt dobja ki! A fenti jellel ellátott termékeket a WEEE, irányelv szerint az elektromos és elektronikus termékek számára kihelyezett hulladékgyűjtőbe tegye! Az olyan elemeket és akkumulátorokat, melyek nem zártan vannak a használt készülékbe helyezve valamint a használt készülékből roncsolás nélküli eltávolítható lámpákat a gyűjtőhelyen történő leadást megelőzően károsítás nélkül el kell távolítani. A forgalmazók a vonatkozó jogi előírásoknak megfelelően kötelesek visszavenni a végfelhasználótól a használt készülékeket. A régi készüléket a következő címre is elküldheti Németországban belüli ártalmatlanításra. SLV GmbH, Technischer Service, Werkstrasse 8-10, 52531 Übach-Palenberg, Németország</p>

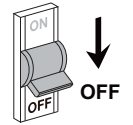
IMPORTANT SAFETY NOTES



WARNING RISK OF ELECTRIC SHOCK

BEFORE YOU BEGIN

- Read these instructions completely and carefully.
- The installation and connection of the luminaire must be done when switched off and by qualified people. Make sure no voltage while installation.



CAUTION

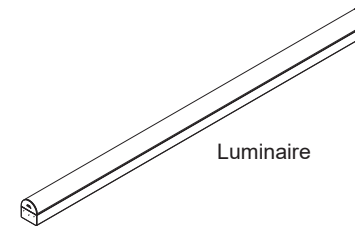
MAINTENANCE

- To avoid injuries, disconnect power to the light and allow the unit to cool down before performing maintenance.
- Perform visual, mechanical and electrical inspections on a regular basis. We recommend routine checks to be made on an annual basis. Frequency of use and environment should determine this
- The Covers should be cleaned periodically as needed to ensure continued photometric performance. Clean the Cover with a damp, non-abrasive, lintfree cloth. If not sufficient, use mild soap or a liquid cleaner. Do not use an abrasive, strong alkaline or acid cleaner as damage may occur.
- Inspect the topside on the luminaire to ensure that it is free of any obstructions or contamination (i.e. excessive dust build-up). Clean with a non-abrasive cloth if needed.



This product contains a light source of energy efficiency class D.

Products



Luminaire



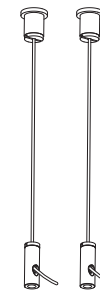
PA4x40mm



Expansion Tube

Optional

1009262

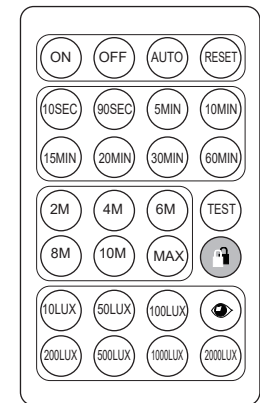


Steel cable suspension kits



M5x6mm

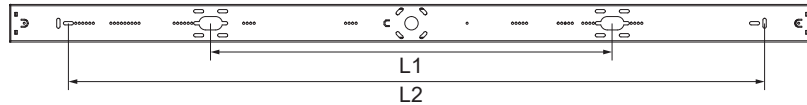
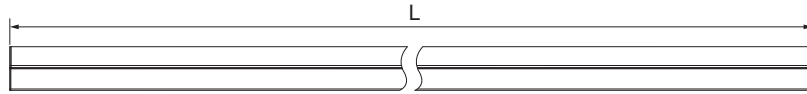
1011005



Remote control

Dimensions

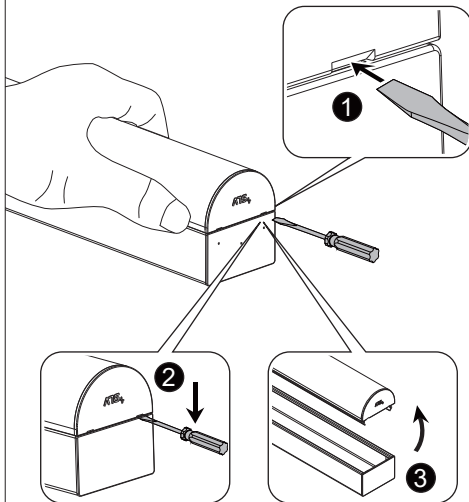
[mm]



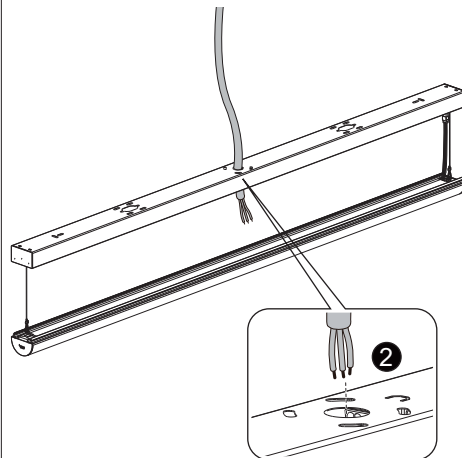
L	L1	L2
600	/	500
1200	600	1040
1500	600	1340

Installation Steps

- 1 Open the luminaire with a flat-head screwdriver



- 2 Thread the wire through the wire hole



DE - Entsorgung (Europäische Union)

Produkt nicht im Hausmüll entsorgen! Produkte mit diesem Symbol sind entsprechend der Richtlinie(WEEE) über Elektro- und Elektronik-Altgeräte über die örtlichen Sammelstellen für Elektro-Altgeräte zu entsorgen! Altbatterien und Altkondensatoren, die nicht vom Altgerät umschlossen sind, sowie Lampen, die zerstörungsfrei aus dem Altgerät entnommen werden können, sind vor der Abgabe an einer Erfassungsstelle vom Altgerät zerstörungsfrei zu trennen. Vertreiber sind, nach den jeweiligen gesetzlichen Verpflichtungen, verpflichtet Altgeräte von einem Endnutzer zurückzunehmen. Zur Entsorgung kann das Altgerät innerhalb Deutschlands auch an folgende Adresse versendet werden:

SLV GmbH, Technischer Service, Werkstrasse 8-10, 52531 Übach-Palenberg



EN - Disposal (European Union)

Do not dispose the product with the regular household waste! Products marked with this sign must be disposed according to the directive (WEEE) on electrical and electronic devices at local collection points for such devices! Waste batteries and accumulators, which are not enclosed by the waste equipment, and lamps, which are removable non-destructively from the waste equipment are to be separated non-destructively from the waste equipment before turning to a local collection point.

Distributors are, according to particular legislation, obligated to take back waste equipment from the final holder. For disposal within Germany the waste equipment may be send to the following address:

SLV GmbH, Technischer Service, Werkstrasse 8-10, 52531 Übach-Palenberg, Germany



FR - Information de recyclage (Union européenne)

Ne recyclez pas le produit avec les ordures ménagères ! Les produits qui présentent ce symbole sont à recycler suivant la directive (WEEE) relative aux déchets d'équipements électriques et électroniques, via des points de collecte pour appareils électriques usagés ! Les piles et accus usagés qui ne sont pas incorporés dans l'appareil usagé, ainsi que les lampes qui peuvent être retirées de l'appareil usagé sans être détruites, doivent être retirés de l'appareil usagé sans être détruits avant d'être remis au Recycparc. Conformément à leurs obligations légales respectives, les distributeurs sont tenus de reprendre les appareils usagés d'un utilisateur final.



Points de collecte sur www.quefairedemesdechets.fr
Privilégiez la réparation ou le don de votre appareil !

Points de collecte sur www.quefairedemesdechets.fr

Pour l'élimination, l'appareil usagé peut également être envoyé en Allemagne à l'adresse suivante :

SLV GmbH, Technischer Service, Werkstrasse 8-10, 52531 Übach-Palenberg, Allemagne



ES - Indicaciones para la eliminación (Unión Europea)

¡No tirar el producto con la basura doméstica! Los productos con este símbolo deben eliminarse, de acuerdo con la directiva (WEEE) sobre residuos de aparatos eléctricos y electrónicos, llevándolos a los puntos de recogida selectiva de aparatos eléctricos y electrónicos locales. Las baterías y los acumuladores recargables que no se hallen protegidos por el aparato viejo, así como las lámparas, extraídas sin romperlas del aparato viejo, deben desmontarse sin llegar a alterarlas antes de entregarlos a un punto de recogida.

Los distribuidores están obligados a recoger los aparatos viejos de un usuario final según las obligaciones legales pertinentes. El aparato antiguo también puede enviarse a la siguiente dirección para su eliminación dentro de Alemania:

SLV GmbH, Technischer Service, Werkstrasse 8-10, 52531 Übach-Palenberg, Alemania



IT - Istruzioni per lo smaltimento (Unione Europea)

Non smaltire il prodotto con i rifiuti domestici! I prodotti con questo simbolo devono essere smaltiti, nel rispetto della Direttiva (WEEE) sui rifiuti di apparecchiature elettriche ed elettroniche, nei punti di raccolta locale ad essi adibiti! Verificare sul sito www.slvitalia.it il corretto metodo di smaltimento del presente materiale. Le batterie e gli accumulatori usati non racchiusi nell'apparecchio usato e le lampade rimovibili dall'apparecchio usato senza venire distrutte, devono essere divise dall'apparecchio usato senza venire distrutte, prima di essere consegnate in un punto di raccolta. I rivenditori sono tenuti, secondo i rispettivi obblighi legali, a ritirare gli apparecchi usati dal consumatore finale. Il vecchio apparecchio può anche essere inviato al seguente indirizzo per lo smaltimento in Germania:

SLV GmbH, Technischer Service, Werkstrasse 8-10, 52531 Übach-Palenberg, Germania



NL - Afvalverwijdering (Europese Unie)

Het product niet via het huishoudelijk afval weggooien! Producten met dit symbol dienen in overeenstemming met richtlijn (WEEE) via elektrische en elektronische apparatuur bij de plaatselijke inzamelpunten voor elektrisch afval te worden verwijderd! Afdankte accu's en accumulators die niet in het afgedankte apparaat zijn ingebouwd, zoals lampen die zonder beschadigingen uit het apparaat kunnen worden verwijderd, dienen voorafgaand aan de afgifte aan de betreffende instantie voor afgedankt apparaat, niet-destructief verwijderd te worden. De verkopers zijn op basis van de betreffende wettelijke regelgeving, verplicht afgedankte apparaten van een eindgebruiker terug te nemen. Het oude apparaat kan ook naar het volgende adres worden gestuurd voor verwijdering binnen Duitsland:

SLV GmbH, Technischer Service, Werkstrasse 8-10, 52531 Übach-Palenberg, Duitsland

Emergency Kit (Optional)

Rest Mode

• Emergency operation is automatically started when the mains supply is switched off. Rest mode can be activated during emergency mode by doubling press the manual test button. The discharging of the battery will be minimized by switching off the LED output. The rest mode will be exited automatically after reconnect the supply.

LED Indicator

System status is locally indicated by a bi-coloured LED indicator.

	Color		LED indication	Status
	Green		Permanently On	System Healthy
	Green		Permanently OFF	Emergency Mode: Mains failure or mains disconnected
	Green		Slow Flash (0.5s on-0.5s off)	Duration Test Pending
	Green		Medium Flash (0.25s on-0.25s off)	Duration Test Running
	Green		Fast Flash (0.125s on-0.125s off)	Functional Test Running
	Red		Permanently On	Battery Charging Fault
	Red		Medium Flash (0.25s on-0.25s off)	Battery Duration Fault
	Red		Fast Flash (0.125s on-0.125s off)	Lamp or Luminaire Fault
	Red		OFF 1s then Stay On 5s	26 Weeks Duration Test Interval
	Red		OFF 1s then Fast Flash 5s (0.125s on-0.125s off)	52 Weeks Duration Test Interval

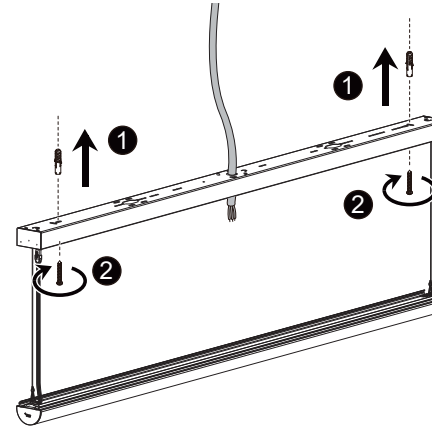
Functionality of the test button (manually mode)

Button appearance	Operation	Function
	 Press 1-2s	Manual functional test
	 Press 5-10s	Manual duration test
	 Press <1s	Confirm the current duration test interval
	 Double press <1s	Set the duration test interval
	 Double press <1s during emergency mode	Rest mode activated

Installation Steps

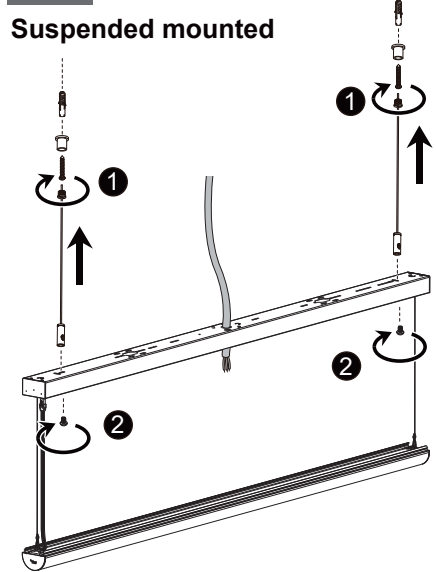
3-a

Surface mounted



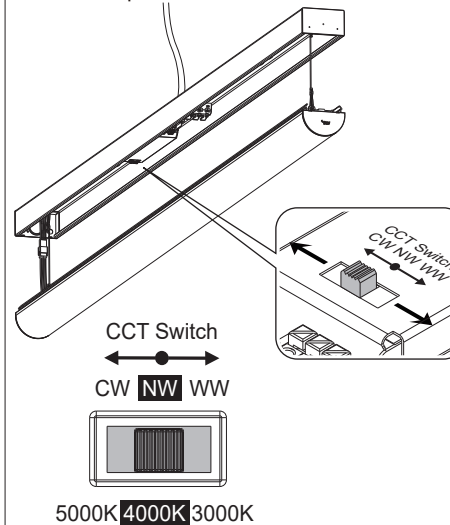
3-b

Suspended mounted



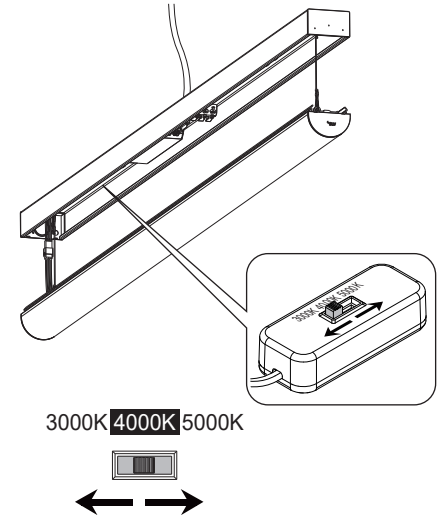
4-a

CCT Setting (A) Dipswitch on Driver



4-b

CCT Setting (B) External DIP switch



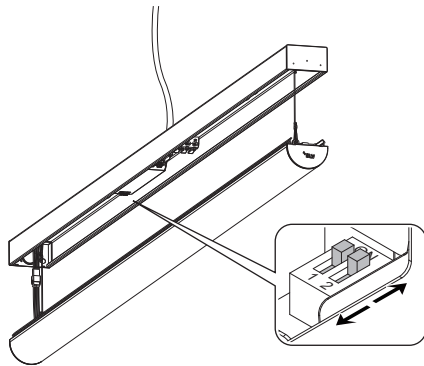
Installation Steps

5-a Wattage setting ON / OFF

Output current [mA]	Switch position		Power [W]	1009251					
	1	2		3000K		4000K		5000K	
				Light effect [lm/W]	Flux [lm]	Light effect [lm/W]	Flux [lm]	Light effect [lm/W]	Flux [lm]
200	OFF	OFF	11	139.7	1537	152.2	1674	150.8	1659
250	ON	OFF	14	138.0	1932	152.1	2130	148.9	2084
300	OFF	ON	17	135.1	2296	150.6	2561	145.6	2474
350	ON	ON	20	131.4	2628	148.7	2973	141.8	2836

Output current [mA]	Switch position		Power [W]	1009252, 1009253, 1009254					
	1	2		3000K		4000K		5000K	
				Light effect [lm/W]	Flux [lm]	Light effect [lm/W]	Flux [lm]	Light effect [lm/W]	Flux [lm]
200	OFF	OFF	20	149.3	2985	161.5	3230	161.2	3224
250	ON	OFF	25	146.5	3663	161.0	4025	158.0	3951
300	OFF	ON	30	143.2	4296	159.3	4780	154.4	4632
350	ON	ON	35	139.3	4876	157.9	5525	150.2	5258

Output current [mA]	Switch position		Power [W]	1009255, 1009256, 1009257					
	1	2		3000K		4000K		5000K	
				Light effect [lm/W]	Flux [lm]	Light effect [lm/W]	Flux [lm]	Light effect [lm/W]	Flux [lm]
200	OFF	OFF	28	150.6	4217	163.6	4581	162.7	4555
250	ON	OFF	34	148.5	5048	163.1	5544	160.1	5443
300	OFF	ON	41	144.9	5939	161.4	6617	156.3	6406
350	ON	ON	48	141.3	6782	159.4	7650	152.4	7316



Emergency Kit (Optional)

Automatic / Manual Testing

1. Commissioning

- Commissioning takes place by connecting the battery and then the un-switched supply. The battery must be connected first.
- The green LED will immediately flash 1 x second to indicate that there is a pending duration test.
- A functional test will occur at 5 minutes after commissioning to allow 5 minutes for battery charging to ensure there is some charge in the battery.
- A duration test will occur at a random point between 24 hours and 48 hours after commissioning to allow 24 hours for battery charging.
- Any faults found in the functional and duration testing will be reported via the LED indicator, as detailed below.
- Disconnecting the un-switched supply and then the battery resets the emergency module, clears all fault reports and forces a re-commission when the battery and then the un-switched supply are reconnected.
- **If the un-switched supply of an emergency lighting circuit is switched OFF/ON twice within 5 seconds, the schedule for all the emergency units in the emergency lighting circuit is reset (to the current time).**

2. Duration Testing (3 hours)

- An automatic duration test will occur at a random point between 24 hours and 48 hours after commissioning to allow for battery charging.
- An automatic duration test will occur semi-annually or annually at a random point in the 26nd or 52nd week of each year.
- A duration test will occur once the battery is fully charged after pressing the manual test button for 5-10 seconds.
- A duration test may be delayed by other events, such as a power cut that interrupts the test or a lack of charging time, in which case the green LED will flash 1 x second to indicate there is a pending duration test that the emergency module has rescheduled.
- Any faults found in the duration testing will be reported via the LED indicator, as detailed below.
- A functional test will not override any faults reported by a duration test. A full duration test or re-commissioning is required to clear any faults.

3. Functional Testing (<2 minutes)

- A 5 seconds automatic functional test will occur at 5 minutes after commissioning.
- A 108 seconds automatic functional test will occur every 7 days.
- A manual 108 seconds functional test will start immediately after pressing the manual test button for 1-2 seconds.
- Any faults found in the functional testing will be reported via the LED indicator, as detailed below.
- A functional test will not override any faults reported by a duration test. A full duration test or re-commissioning is required to clear any faults.

4. Manual Testing

- Manual functional test: Press the manual test button for 1-2 seconds. A manual functional test lasting <2 minutes will start immediately.
- Manual duration test: Press the manual test button for 5-10 seconds. A manual duration test will occur once the battery is fully charged after pressing the manual test button for 5-10 seconds.

5. Pending Duration Testing

- A duration test may be delayed by other events, such as a power cut that interrupts the test or charging period, in which case the green LED will flash to indicate there is a pending duration test that the emergency module has rescheduled until charging is complete.

6. Lamp or Luminaire Fault

- Turn off the supply and replace or correct the fault with the lamp or luminaire, and then reconnect the supply.
- Press the manual test button for 5-10 seconds. A manual duration test will occur once the battery is fully charged.
- If the battery and power have been disconnected the EM will re-commission and automatically test the replacement.
- A successful functional test will not override any faults reported by a duration test. A full duration test or re-commissioning is required to clear fault reports.

7. Battery Fault

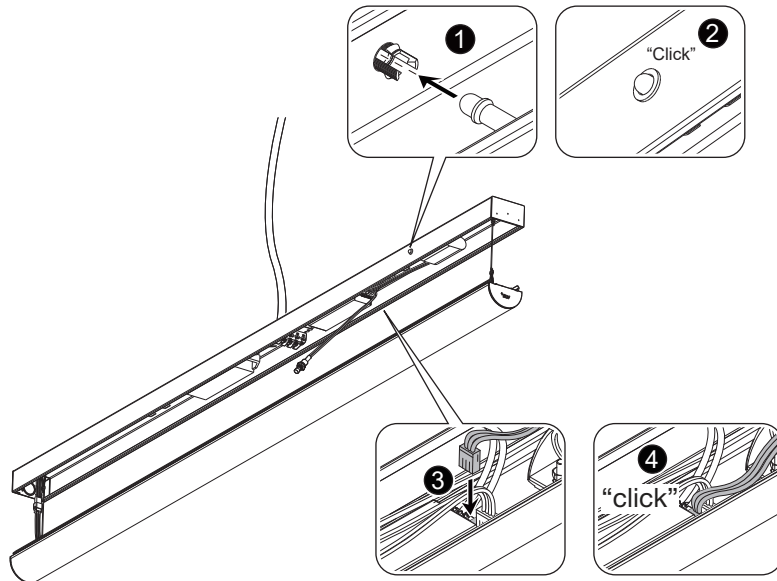
- Turn off the un-switched supply to the EM and replace the battery, and then reconnect the supply.
- If the fault was because the battery was not connected, the un-switched supply must still be turned off when connecting the battery to clear the battery fault.
- The EM will re-commission and so automatically test the replacement at a random point between 24 and 48 hours after commissioning to allow for battery charging.

Emergency Kit (Optional)

Installation

Before Installation:

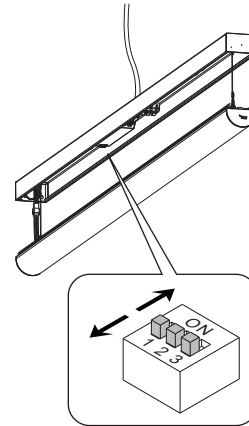
Please press the emergency LED indicator in to the profile.
Connect the emergency battery pack to the emergency drive power supply,
and then connect the input and output power supplies.



Installation Steps

5-b Wattage setting

DALI

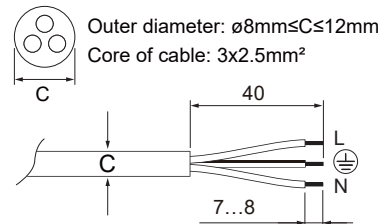


Output current [mA]	Switch position				Power [W]	1009258, 1009259					
	1	2	3	4		3000K		4000K		5000K	
						Light effect [lm/W]	Flux [lm]	Light effect [lm/W]	Flux [lm]	Light effect [lm/W]	Flux [lm]
200	OFF	OFF	OFF	ON	20	149.3	2985	161.5	3230	161.2	3224
250	OFF	ON	ON	OFF	25	146.5	3663	161.0	4025	158.0	3951
300	OFF	OFF	ON	OFF	30	143.2	4296	159.3	4780	154.4	4632
350	OFF	ON	OFF	OFF	35	139.3	4876	157.9	5525	150.2	5258

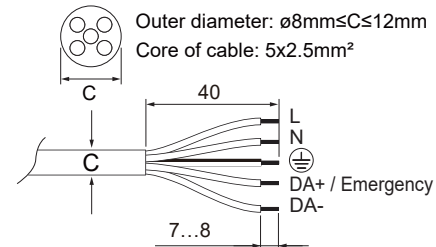
Output current [mA]	Switch position				Power [W]	1009260, 1009261					
	1	2	3	4		3000K		4000K		5000K	
						Light effect [lm/W]	Flux [lm]	Light effect [lm/W]	Flux [lm]	Light effect [lm/W]	Flux [lm]
200	ON	OFF	ON	ON	28	150.6	4217	163.6	4581	162.7	4555
250	OFF	OFF	ON	ON	34	148.5	5048	163.1	5544	160.1	5443
300	OFF	ON	OFF	ON	41	144.9	5939	161.4	6617	156.3	6406
350	OFF	OFF	OFF	ON	48	141.3	6782	159.4	7650	152.4	7316

6 Connecting Power Supply

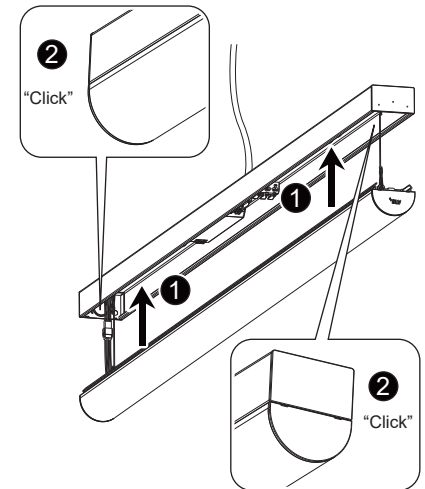
3 Wires specification:



5 Wires specification:

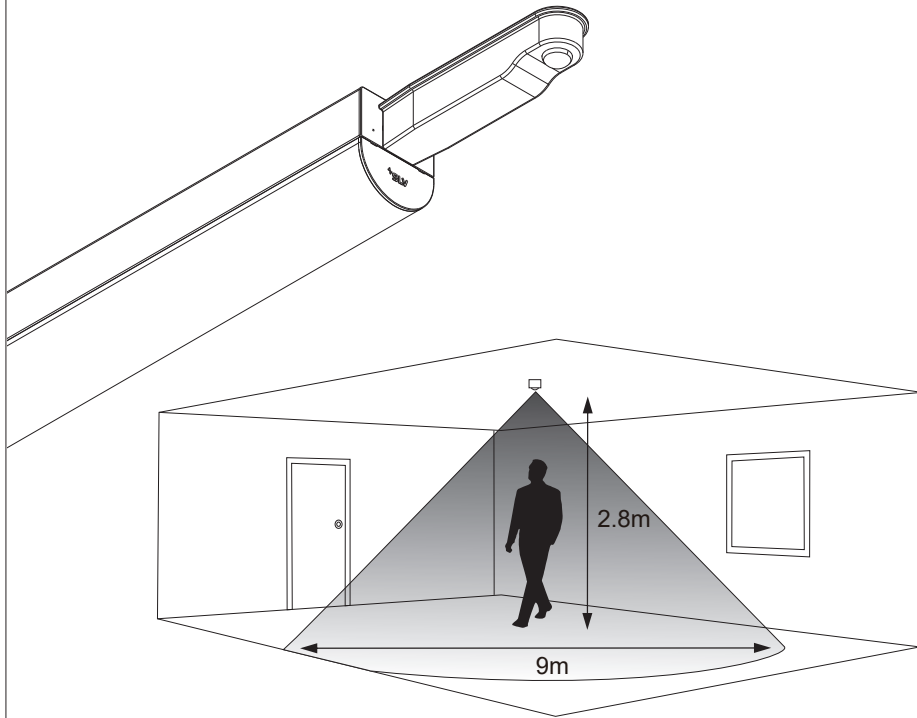


7 Assemble the housing



PIR Sensor (Optional)

Detection diagram



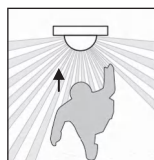
Area of high sensitivity  Area of lower sensitivity

Walk across



Height	Range Diameter
7m	16m
2.8m	9m

Walk towards



Height	Range Diameter
7m	10m
2.8m	5m

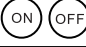



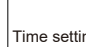


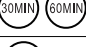
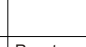
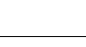



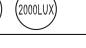
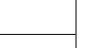
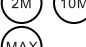


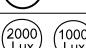
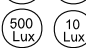
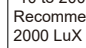




PIR Sensor (Optional)

Setting by remote control



Factory settings:

Operating mode: AUTO
 Time setting: 5min
 Range setting: MAX
 Preselected light values: 500LUX

 	ON=Manual on, after 6 hours turns to "AUTO" mode OFF=manual off, after 6 hours turns to "AUTO" mode
	The sensor starts to work automatically, and all parameters back the latest setting before TEST mode, on/off mode, and reset mode
       	Time setting
	Reset -Resetting of all functions   
  	Range setting
	In test mode, hold time is only 2s and stand-by time and daylight sensor are disable. Quit Test Mode, Press Auto button
   	Preselected light values -10 to 2000 Lux; Recommendation: rooms with daylight 500 Lux, without daylight 2000 Lux
	Permanent tamper protection -Permanent inhibition of the detector, only ON and OFF function on the remote control possible. on=permanent on off=permanent off Unlock permanent tamper protection
	The latest surrounding lux value learned, and is set as the daylight threshold.

Operation tips:

A: Set 10SEC, 6M, 100LUX as an example

1. We push "AUTO", if you set TIME, LUX, RANGE, it must enter in Auto mode first.
2. Push "10SEC", the sensor off, sensor led will flash 3 times as confirmation.
3. Push "6M", the sensor off, sensor led will flash 3 times as confirmation
4. Push "100LUX", the sensor off, sensor led will flash 3 times as confirmation

B: ON MODE

If you push ON, the sensor on, and will enter in auto mode after 6 hours when there are no motions.

C: OFF MODE

If you push off, the sensor on, and will enter in auto mode after 6 hours when there are no motions.

NOTE: QUIT ON/OFF Mode, Please Auto Button.

D: LOCK/UNLOCK

If you push "LOCK/UNLOCK", the remote control is lock, only ON and OFF function on the remote control possible. In this time, sensor has no motion function, only permanent on or permanent off. Push the "LOCK/UNLOCK" again, unlock the remote control.

There is interval 4 seconds after the sensor stop work, during the 4 seconds, the sensor can't work. After 4 seconds, the sensor start work.