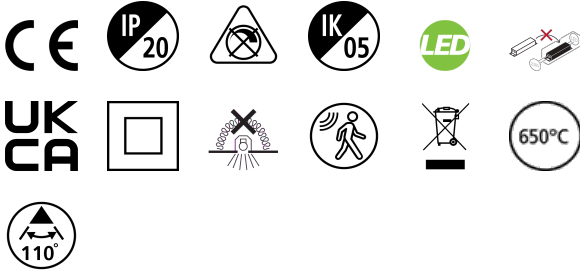


START Downlight 5in1 65-185 1800LM PIR

Code article 0053152

SYLVANIA

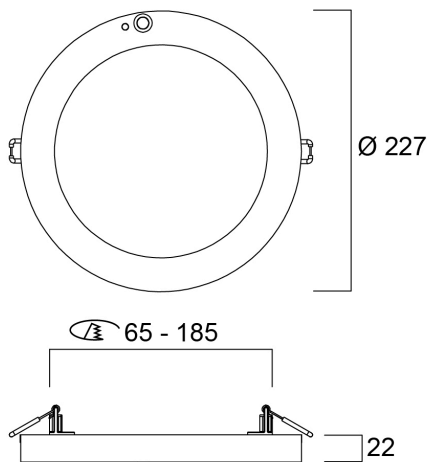
STARTTM



START Downlight 5in1 65-185 1800LM PIR is an integrated LED recessed / surface mounted downlight with built in non dimmable driver and PIR sensor. PIR sensor with time settings (3 min max) and adjustable daylight lux level. 2 options for lumen output 900lm or 1800lm. Colour temperature (3000K, 4000K and 6500K) can be chosen by a 3-way switch located on the back of the fixture. Adaptability to various cut-outs from 65mm to 185mm

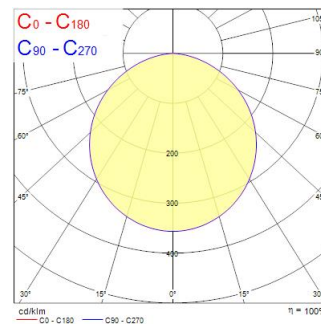
Atouts techniques

Dimensions (mm)



Photométrie

0.5	1.47	E0° E90°	2640 237
1.0	2.93	E0° E90°	660 59
1.5	4.40	E0° E90°	230 19
2.0	5.86	E0° E90°	168 14
2.5	7.33	E0° E90°	108 9
3.0	8.80	E0° E90°	72 7
Distance [m]		Cone diameter [m]	
— C0 - C180 (Half beam angle: 111.4°)			
		Illuminance [lx]	



START Downlight 5in1 65-185 1800LM PIR

Code article 0053152

SYLVANIA

Données générales

Nom du produit	START Downlight 5in1 65-185 1800LM PIR
Technologie	LED
Cap/Base	N/A
Housing	PC Polycarbonate
Montage	Ceiling recessed mounting, Ceiling surface mounting
Built in presence detector	PIR
General application	Retail, Residential & Consumer
Operating temperature range (°C)	-20°C...+40°C
Virtual assistant compatibility	N/A
ETIM Class	EC001744
Numéro virtuel FI	4278433
Warranty	3 ans

Données optiques

Fixture luminous flux (lm)	1800
Luminaire efficacy (lm/W)	100
Couleur de lumière	Warm White or Neutral White or Daylight
IRC (Ra)	80
Colour Variation Initial (SDCM)	SDCM6
Beam Angle (°)	110
Distribution type	Symmetric
Glare control	< 28
Photobiological Risk Group	RG0

Caractéristiques électriques

Consommation électrique totale (W)	18
Primary Supply/Product voltage - min (V)	220.0
Primary Supply/Product voltage - max (V)	240.0
Lamp power factor	0.7
THD (at 230 V, 50 Hz, full load, at 100% dimming level) ≤ xx.x %	85.0
Electrical protection	Class II
Type d'appareillage	LED driver constant current
Dimmable	No
Dimming method	N/A
Drive current (mA)	170
Energy Efficiency Class (A->G) of contained light source	E
Nominal Frequency (Hz)	50/60Hz
Max. products per 16A C Breaker	42
Max. products per 16A B Breaker	25
Connectable conductor cross section - Min (mm ²)	0.75
Connectable conductor cross section - Max (mm ²)	1.5

Durée de vie

Lifespan L70 B50	55000
Lifespan L80 B10	30000

Données physiques

Housing colour	RAL 9003 - Signal white
IP rating	IP20
IK rating	IK05
Diffuser finish	Opal
Diffuser material	PS Polystyrene
Finition réflecteur	Not Applicable
Nominal Product Height (mm)	22
Nominal Product Diameter (mm)	227
Poids (kg)	0.473

START Downlight 5in1 65-185 1800LM PIR

Code article 0053152

SYLVANIA

Emballage

Product EAN number	5410288531526
Longueur simple de l'emballage (cm)	24.7
Largeur simple de l'emballage (cm)	4.3
Packaging single depth (cm)	23.7
DUN14 (inner)	15410288531523
Units per outer package	14
Packaging outer length / height (cm)	50.9
Packaging outer width (cm)	32.1
Packaging outer depth (cm)	26.2

Sécurité

Glow Wire Test (°C)	650
Condition de fonctionnement optimal (° C)	-20-40