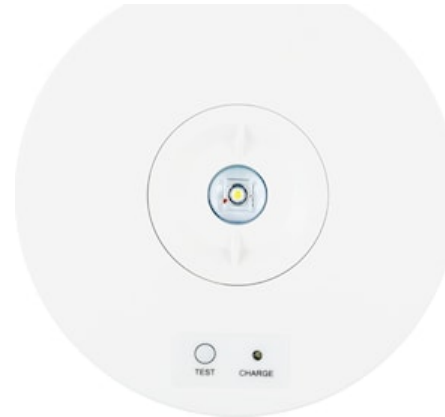


LiFeSafe SurfaceRoundDownlight IP65 RA C EM3 NM ST

Code article 0032008

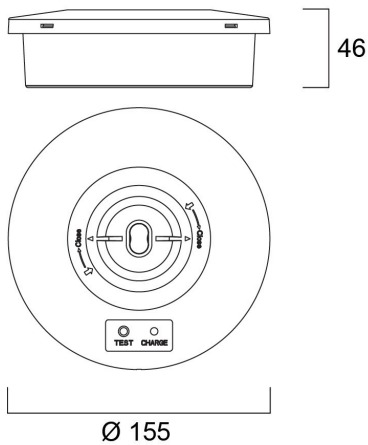
SYLVANIA



LiFeSafe SURF RDDL IP65 RA C EM3 NM ST is a round surface mount standalone luminaire. Non-maintained self-test 3Hr emergency duration with LiFePO4 rechargeable batteries. Interchangeable lens for open area or corridor beam. 2.2W - 280lm (open area) / 250lm (corridor), 20mm conduit entry points, Class II construction.

Atouts techniques

Dimensions (mm)

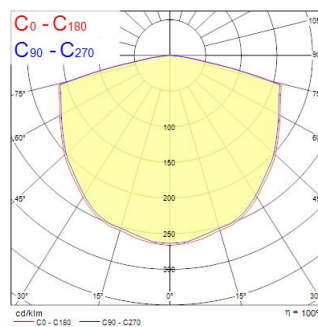


Photométrie

Distance (m)	Cone diameter (m)	Beam angle (°)	Illuminance (lx)
0.5	0.85 3.84	81° E180 E180 78.4°	244 84 8
1.0	1.71 7.68	81° E180 E180 78.4°	61 12 2
1.5	2.56 11.52	81° E180 E180 78.4°	27 6 1
2.0	3.42 15.36	81° E180 E180 78.4°	15 3 1
2.5	4.27 19.20	81° E180 E180 78.4°	10 2 0
3.0	5.12 23.03	81° E180 E180 78.4°	7 1 0

Distance (m) Cone diameter (m) Illuminance (lx)

— C0 - C180 (Half beam angle: 150.0°)
— C90 - C270 (Half beam angle: 81.0°)



LiFeSafe SurfaceRoundDownlight IP65 RA C EM3 NM ST

Code article 0032008

SYLVANIA

Données générales

Nom du produit	LiFeSafe SurfaceRoundDownlight IP65 RA C EM3 NM ST
Technologie	LED
Housing	PC Polycarbonate
Montage	Ceiling surface mounting
General application	Education, Hospitality, Logistics & Industry, Museums & Galleries, Office
Operating temperature range (°C)	0°C...+45°C
Performance ambient temperature Tq (°C)	25
ETIM Class	EC001957
Warranty	5 ans

Données optiques

Luminaire efficacy (lm/W)	140
Température de couleur (K)	6500
Couleur de lumière	Cool White
IRC (Ra)	80
Colour Variation Initial (SDCM)	SDCM6
Photobiological Risk Group	RG1
Luminous flux (emergency) (lm)	280
Flux lumineux (d'urgence) (lm)	280
Emergency duration (h)	3

Caractéristiques électriques

Primary Supply/Product voltage - min (V)	220
Primary Supply/Product voltage - max (V)	240
Lamp power factor	0.3
THD (at 230 V, 50 Hz, full load, at 100% dimming level) ≤ xx.x %	175
Electrical protection	Class II
Control gear required	No
Courant d'appel (A)	3
Inrush Duration (µs)	100
Nominal Frequency (Hz)	50/60Hz
Max. products per 10A C Breaker	475
Max. products per 13A C Breaker	617
Max. products per 16A C Breaker	760
Max. products per 20A C Breaker	950
Max. products per 10A B Breaker	285
Max. products per 13A B Breaker	370
Max. products per 16A B Breaker	456
Max. products per 20A B Breaker	570

Durée de vie

Lifespan L70 B50	100000
Lifespan L70 B20	100000
Lifespan L70 B10	100000
Lifespan L80 B50	100000
Lifespan L80 B20	100000
Lifespan L80 B10	100000
Lifespan L90 B50	100000
Lifespan L90 B20	100000
Lifespan L90 B10	100000

LiFeSafe SurfaceRoundDownlight IP65 RA C EM3 NM ST

Code article 0032008

SYLVANIA

Données physiques

Housing colour	RAL 9003 - Signal white
IP rating	IP65
IK rating	IK03
Longueur (mm)	155
Largeur (mm)	155
Nominal Product Height (mm)	46
Poids (kg)	0.326

Emballage

Product EAN number	5410288320083
Longueur simple de l'emballage (cm)	17.0
Largeur simple de l'emballage (cm)	6.0
Packaging single depth (cm)	6.0
DUN14 (inner)	15410288320080
Units per outer package	20
Packaging outer length / height (cm)	35.7
Packaging outer width (cm)	36.4
Packaging outer depth (cm)	34.5

Sécurité

Glow Wire Test (°C)	850
Condition de fonctionnement optimal (° C)	0-45