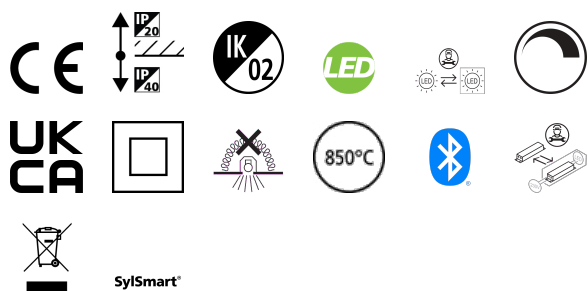


Solstice 150 1900lm 930 SSC01D

Code article 2070139

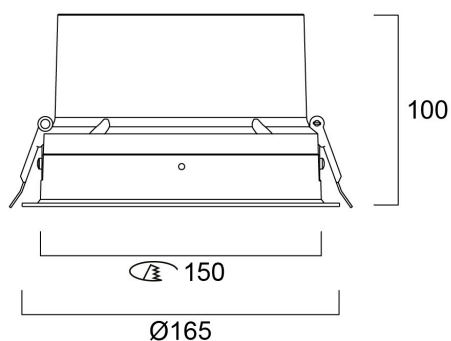
Concord



The Solstice 150 1900lm 930 SSC is a high efficient SSC dimmable downlight luminaire, Colour rendering index Ra>90, Colour temperature: 3000K Warm White, Class II, Protection rating IP40/IP20, Cut out dimensions: 150mm.

Atouts techniques

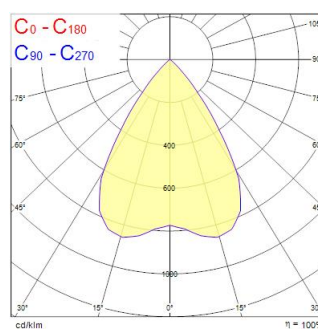
Dimensions (mm)



Photométrie

0.5	0.68	5071 5100	34.5°	5720 1801
1.0	1.36	5071 5100	34.5°	1420 480
1.5	2.05	5071 5100	34.5°	636 200
2.0	2.73	5071 5100	34.5°	381 113
2.5	3.41	5071 5100	34.5°	229 72
3.0	4.09	5071 5100	34.5°	159 50

Distance [m] Cone diameter [m] Illuminance [lx]
 C0 - C180 (Half beam angle: 66.6°)



Solstice 150 1900lm 930 SSC01D

Code article 2070139

Concord

Données générales

Nom du produit	Solstice 150 1900lm 930 SSC01D
Technologie	LED
Cap/Base	N/A
Housing	Aluminium
Montage	Ceiling recessed mounting
Built in presence detector	NONE
General application	Hospitality, Office, Retail
Operating temperature range (°C)	-10°C...+40°C
Performance ambient temperature Tq (°C)	40
Virtual assistant compatibility	N/A
ETIM Class	EC001744
Numéro virtuel FI	4262050
Warranty	5 ans

Données optiques

Fixture luminous flux (lm)	1900
Luminaire efficacy (lm/W)	127
LOR (%)	100
Température de couleur (K)	3000
Couleur de lumière	Warm White
IRC (Ra)	90
Colour Variation Initial (SDCM)	SDCM3
Colour Consistency (SDCM)	3
Beam Angle (°)	70
Distribution type	Symmetric
Glare control	< 19
Photobiological Risk Group	RG0

Caractéristiques électriques

Consommation électrique totale (W)	15
Actuel (A)	400
Primary Supply/Product voltage - min (V)	220.0
Primary Supply/Product voltage - max (V)	240.0
Lamp power factor	0.96
THD (at 230 V, 50 Hz, full load, at 100% dimming level) ≤ xx.x %	3
Electrical protection	Class II
Control gear required	No
Type d'appareillage	LED driver constant current
Dimmable	Yes
Dimming method	SylSmart SSC
Minimum dimming level (%)	1
Drive current (mA)	400
Courant d'appel (A)	20
Inrush Duration (µs)	140
Energy Efficiency Class (A->G) of contained light source	C
Nominal Frequency (Hz)	50/60Hz
LED Flickering Rate	Ultra low (5% or less)
Max. products per 10A C Breaker	40
Max. products per 13A C Breaker	56
Max. products per 16A C Breaker	64
Max. products per 20A C Breaker	80
Max. products per 10A B Breaker	21
Max. products per 13A B Breaker	28
Max. products per 16A B Breaker	35
Max. products per 20A B Breaker	44
Connectable conductor cross section - Min (mm ²)	0.5
Connectable conductor cross section - Max (mm ²)	2.5

Solstice 150 1900lm 930 SSC01D

Code article 2070139

Concord

Durée de vie

Lifespan L70 B50	120000
Lifespan L80 B20	120000
Lifespan L80 B10	120000
Lifespan L90 B10	74000

Données physiques

Housing colour	RAL 9016 - Traffic white / Bezel
IP rating	IP40/20
IK rating	IK02
Diffuser finish	Diffuse
Diffuser material	PC Polycarbonate
Finition réflecteur	High-gloss
Nominal Product Height (mm)	100
Nominal Product Diameter (mm)	165
Built-in diameter (mm)	150
Max. Lamp Diameter (mm) - D	165
Poids (kg)	0.95
Recessed Depth (mm)	150

Emballage

Product EAN number	5025768701391
Longueur simple de l'emballage (cm)	30.3
Largeur simple de l'emballage (cm)	30.3
Packaging single depth (cm)	18.0
DUN14 (inner)	05025768701391
Units per outer package	1
Packaging outer length / height (cm)	30.3
Packaging outer width (cm)	30.3
Packaging outer depth (cm)	18.0

Sécurité

Glow Wire Test (°C)	850
Condition de fonctionnement optimal (° C)	-10-40