

Product Datasheet

LC Push & Pull Connector



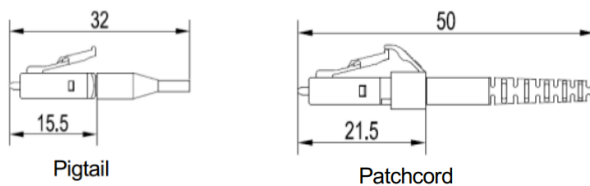
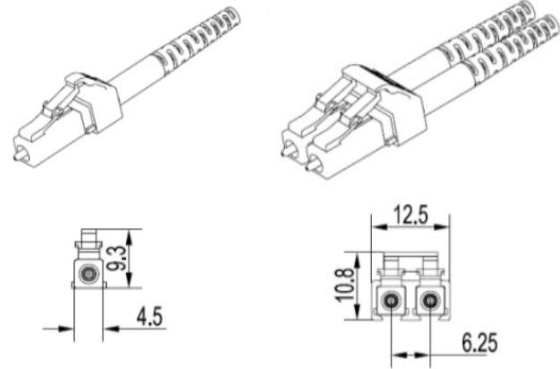
The LC Connector with a 1,25mm ceramic ferrule and a snap (push-pull) coupling, is the most used SFF (Small Form Factor) connector in today's telecom and datacom networks.

Novobit is an official licensed LC manufacturer and meets international standards IEC 61754-20 / TIA 604-10 and RoHS/REACH compliant. All LC assemblies are compliant to performance standards IEC-61753, IEC 61754-4, IEC 61755-3-1. It can be assembled with cables from $\varnothing 0.6\text{mm}$ up to $\varnothing 3.0\text{mm}$.

The Novobit LC connector-kit meet category E for extreme environment and may be used between -40 and $+85^{\circ}\text{C}$, and is available as simplex or duplex with clip (patchcord) or without clip (pigtail).

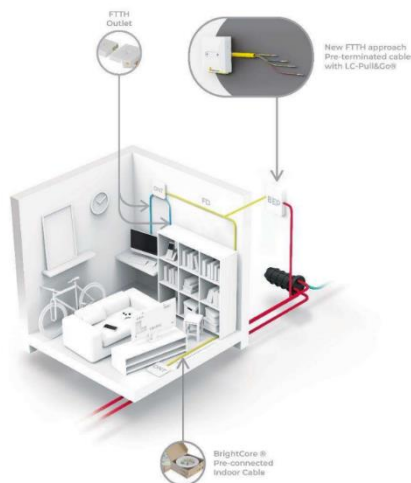
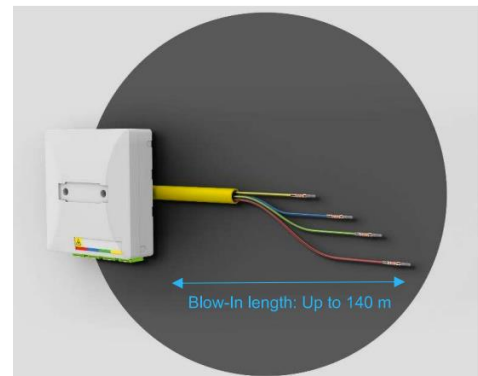
Assembly Specifications		Single-mode		Multimode
Performance Class		Grad B	Grade C	Grade M
IL max. against reference (dB)		0.15	0.35	0.35
IL typical against reference (dB)		0.06	0.12	0.20
Return Loss (dB)	PC	≥ 45	≥ 45	≥ 45
	UPC	≥ 55	≥ 55	≥ 30
	APC	≥ 65	≥ 65	-
Fiber Height (nm)	PC	-50 to +50	-50 to +100	-50 to +100
	APC	-50 to +50	-100 to +100	-
Apex Offset (um)		≥ 50	≥ 50	≥ 50
Radius (mm)	PC	5 to 25	5 to 25	5 to 25
	APC	5 to 12	5 to 12	-
Angle (°) of APC		8 ± 0.4	8 ± 0.4	-
Tensile Strength (N)		>100	>100	>100

Connector Specification	
Housing	Plastic; blue, green, beige customized colors un request
Ferrule Diameter	Zircona D: 1.25mm d: 125.3-126.3um
Concentricity	≥1.0um (SM); ≥4.0um (MM)
Tuning	30 degree steps
Cable Diameter	0.6 – 3mm
Flammability	UL 94 V-0
Humidity	95%
Durability	≥1000 Matings
Tensile Strength	70N
RoHS/REACH	Compliant



For quick installation Jetting (Blowing)-, pull- or push-installation in FTTH applications. Background: The use of pre-terminated cables generally saves time and cost. For easy and fast connection between the BEP and the ONT we propose a full pre-terminated assembly unit incl. the ONT panel.

The assemble can be blown-in, pulled or pushed from one site in one piece within minutes. Available in the appropriate length, up to 140m. The special connector housing to simply click on after the installation.



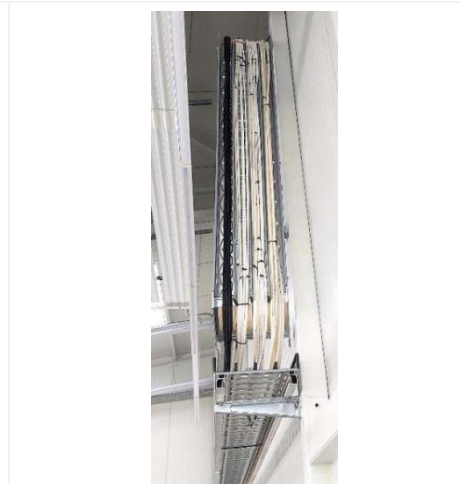
Benefit: Time & Cost Saving, no splicing and comprehensive testing is required after the installation.

The connectors LC-Pull&Go and SC-Pull&Go connectors are the core elements of the innovative FTTH pre-term-solution. Their detachable housing makes it possible to pre-terminate the fibre optic cable and mount the housing after pulling, pushing or blow-in the cable assembly.

The performance of Novobit's solution has been validated by a recognised certification lab in Germany and features the following performance data:

Injection length with air pressure: >144m
 Injection length without air pressure:>30m
 Injection speed 4 fibres/connectors: 80m/min
 Injection speed 2 fibers/connectors: 120m/min

In all test series the cable could completely be reeled of. The difficulty on the test duct section was medium-high and the cable could be blown out in one piece without any problems. The cable printing was still clearly legible afterwards.



	2 fibers / connectors	4 fibers / connectors
Air pressure	4...5bar	2...3bar
Thrust / contact pressure	20N / 69%	20N / 69%
Duct temperature	24°C	21°C