

# START SURFACE SLIM IP54 ROUND 1900LM 2CCT MW WH

Code article 0043514

**SYLVANIA**

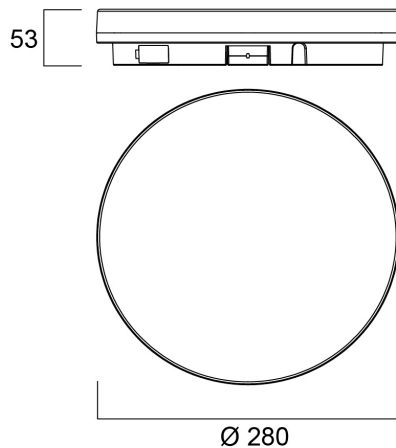
**START**<sup>TM</sup>



Ceiling / wall round luminaire with integrated LED. Perfect solution for corridors, circulation areas or bathrooms. Even and uniform light in a slim but robust design. Power 18 W, lumen output 1900 lumens, lumen efficacy 105 lm/W, dual color temperature (3000K/4000K). Supplied with non dimmable driver and built in motion sensor. Default settings as Stand-by time 0s, Stand-by dim level 15%, Daylight 10lux, Hold-time 60s, Sensitivity 100%. Mains Voltage 220-240V~. Body Size: 280mm diameter x 53mm height. IK07, IP54 Protection rating. PC Polycarbonate Opal diffuser. Low maintenance with 65000 hours LED lifespan expectancy. Warranty: 5 years.

## Atouts techniques

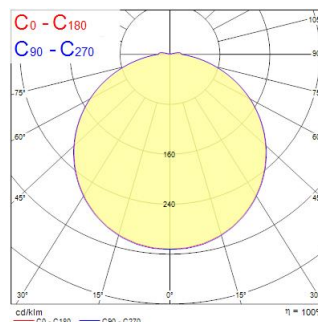
### Dimensions (mm)



### Photométrie

Distance [m]	Cone diameter [m]	Beam angle [°]	Illuminance [lx]
0.5	1.00 1.05	90° 88.8°	2236 193
1.0	2.00 2.10	90° 88.8°	559 88
1.5	3.00 3.15	90° 88.8°	245 67
2.0	4.00 4.20	90° 88.8°	160 51
2.5	5.00 5.25	90° 88.8°	99 38
3.0	6.00 6.30	90° 88.8°	62 28

Distance [m]    Cone diameter [m]    Illuminance [lx]  
 — C0 - C180 (Half beam angle: 117.0°)  
 — C90 - C270 (Half beam angle: 118.0°)



# START SURFACE SLIM IP54 ROUND 1900LM 2CCT MW WH

Code article 0043514

**SYLVANIA**

## Données générales

Nom du produit	START SURFACE SLIM IP54 ROUND 1900LM 2CCT MW WH
Technologie	LED
Cap/Base	N/A
Housing	PC Polycarbonate
Montage	Ceiling surface mounting, Wall surface mounted
Built in presence detector	MICROWAVE
General application	Hospitality
Operating temperature range (°C)	-20°C...+40°C
Performance ambient temperature Tq (°C)	25
Virtual assistant compatibility	N/A
ETIM Class	EC002892
Numéro virtuel FI	4278450
Warranty	5 ans

## Données optiques

Fixture luminous flux (lm)	1900
Luminaire efficacy (lm/W)	105
Couleur de lumière	Warm White or Neutral White
IRC (Ra)	80
Colour Variation Initial (SDCM)	SDCM4
Beam Angle (°)	120
Distribution type	Diffuse
Photobiological Risk Group	RG0

## Caractéristiques électriques

Consommation électrique totale (W)	18
Primary Supply/Product voltage - min (V)	220.0
Primary Supply/Product voltage - max (V)	240.0
Lamp power factor	0.9
THD (at 230 V, 50 Hz, full load, at 100% dimming level) ≤ xx.x %	18
Electrical protection	Class II
Control gear required	No
Type d'appareillage	LED driver constant current
Dimmable	No
Dimming method	N/A
Drive current (mA)	480
Courant d'appel (A)	4.5
Inrush Duration (µs)	100
Energy Efficiency Class (A->G) of contained light source	E
Nominal Frequency (Hz)	50/60Hz
LED Flickering Rate	Ultra low (5% or less)
Max. products per 16A C Breaker	50
Max. products per 16A B Breaker	32
Connectable conductor cross section - Min (mm <sup>2</sup> )	0.75
Connectable conductor cross section - Max (mm <sup>2</sup> )	2.5

## Durée de vie

Lifespan L70 B50	65000
Lifespan L80 B50	42000
Lifespan L90 B50	21000

# START SURFACE SLIM IP54 ROUND 1900LM 2CCT MW WH

Code article 0043514

**SYLVANIA**

## Données physiques

Housing colour	White
IP rating	IP54
IK rating	IK07
Diffuser finish	Opal
Diffuser material	PC Polycarbonate
Nominal Product Height (mm)	53
Nominal Product Diameter (mm)	280
Poids (kg)	0.957

## Emballage

Product EAN number	5410288435145
Longueur simple de l'emballage (cm)	28.5
Largeur simple de l'emballage (cm)	5.8
Packaging single depth (cm)	28.7
DUN14 (inner)	15410288435142
Units per outer package	6
Packaging outer length / height (cm)	37.5
Packaging outer width (cm)	30.0
Packaging outer depth (cm)	30.5

## Sécurité

Glow Wire Test (°C)	650
Condition de fonctionnement optimal (° C)	-20-40